



CWDM 1 Channel Optical Add/Drop Multiplexer

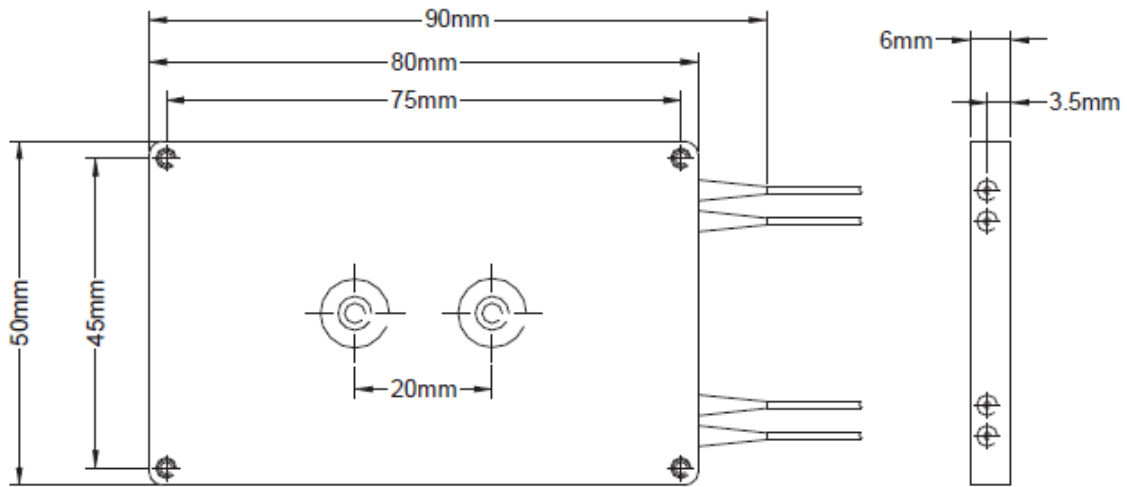
<p>Features</p> <ul style="list-style-type: none"> ● Low Insertion Loss ● Wide Pass Band ● High Channel Isolation ● High Stability and Reliability ● Epoxy Free Optical Path ● CWDM Grid 	<p>Applications</p> <ul style="list-style-type: none"> ● CWDM Channel Add/Drop ● Metro/Access Networks ● CATV Fiberoptic System
---	---

Performance Specifications:

Parameter	Unit	Spec	
		Mux (Add)	Demux (Drop)
Operating Wavelength	nm	Full Band (FB): 1270nm to 1610nm; Standard: 1270nm to 1350nm or 1430nm to 1610nm	
Center Wavelength	nm	1270nm, 1290nm,, 1610nm or 1271nm, 1291nm,1611nm	
Center Wavelength Accuracy	nm	± 0.5nm	
Channel Spacing	GHz	20GHz	
Channel Passband (@-0.5dB bandwidth)	nm	≥ 13nm	
Insertion Loss	Add/Drop Ch,	≤ 0.6dB	
	Express Ch.	≤ 0.6dB	
Add/Drop Channel Ripple	dB	≤ 0.3dB	
Channel Isolation	Adjacent	N/A	≥ 30dB
	Non-adjacent	N/A	≥ 40dB
Express Channel Isolation	dB	≥ 25dB	
Insertion Loss Temperature Sensitivity	dB/°C	≤ 0.003dB/°C	
Wavelength Temperature Shifting	nm/°C	≤ 0.002nm/°C	
Polarization Dependent Loss	dB	≤ 0.10dB	
Polarization Mode Dispersion	ps	≤ 0.10ps	
Directivity	dB	≥ 50dB	
Return Loss	dB	≥ 45dB	
Optical Power	mW	≤ 300mW	
Operating Temperature	°C	0 to +70°C	
Storage Temperature	°C	-40 to +85°C	
Package Dimensions	mm	L80mm x W50mm x H6.0mm	

Note: All values referenced are without connectors. With connector, IL increase 0.3dB, RL decrease 5dB.

Mechanical Dimensions:



Ordering Information:

S-CWDM	Channel Spacing	Number of Channel	1 st ITU Channel	Pigtail Style	Fiber Length	In/Out Connector	FB
	□	□□	□□□	□	□	□□	□□
	C= CWDM Grid	01=1 Channel	470= 1470nm 471= 1471nm 491= 1491nm	1= Bare Fiber 2= 900um tube	1=1m 2=2m	0=None 1=FC/APC 2=FC/PC 3=SC/APC 4=SC/PC 5=ST 6=LC/UPC 7=LC/APC	FB=Full Band Leave Empty =Standard

For Example: S-CWDM-C-01-470-1-1-00