



C Band/L Band Micro-Optic Wavelength Division Multiplexer

Features

- Wide Operating Wavelength Range
- Low Insertion Loss
- Ultra Flat Wide Passband
- High Channel Isolation
- High Stability and Reliability
- Epoxy Free Optical Path

Applications

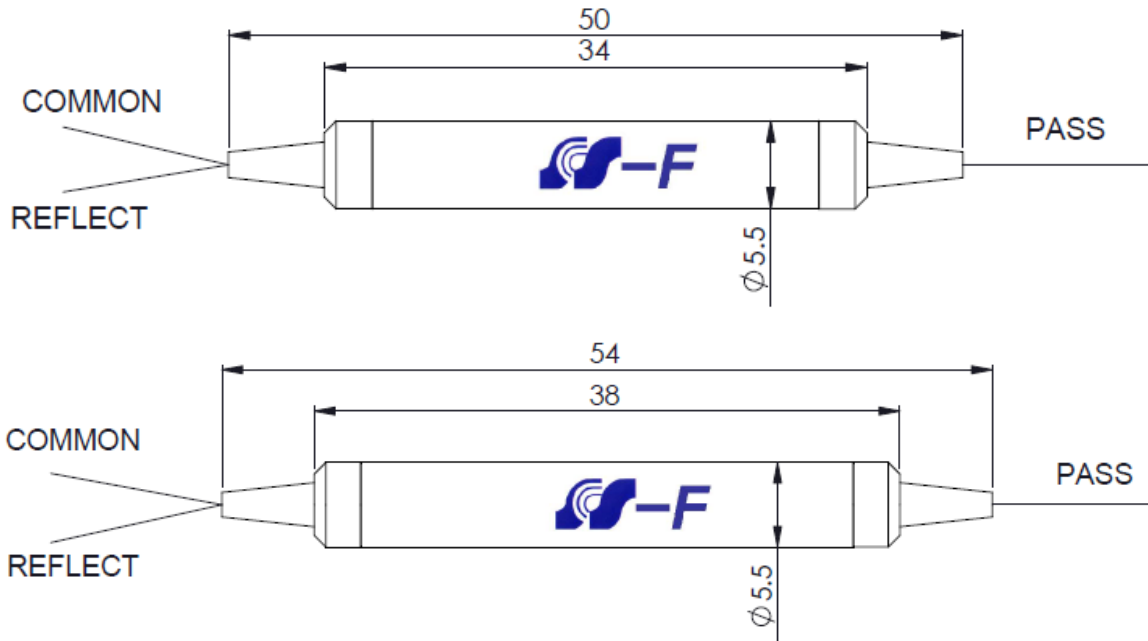
- System Monitoring
- WDM System
- Transmitters and Fiber Lasers
- Fiber Optical Amplifier
- Fiberoptic Instruments

Performance Specifications:

Parameter	Unit	Spec
Pass Channel Wavelength Range	nm	1570nm to 1610nm(or 1500nm to 1563nm)
Reflect Channel Wavelength Range	nm	1500nm to 1563nm(or 1570nm to 1610nm)
Insertion Loss	Pass Channel	≤ 0.4dB
	Reflect Channel	≤ 0.6dB
Insertion Loss Variation	dB	≤ 0.3dB
Isolation	Pass Channel	≥ 12dB
	Reflect Channel	≥ 30dB
Insertion Loss Temperature Sensitivity	dB/°C	≤ 0.003dB/°C
Polarization Dependent Loss	dB	≤ 0.10dB
Polarization Mode Dispersion	ps	≤ 0.10ps
Directivity	dB	≥ 60dB
Return Loss	dB	≥ 50dB
Optical Power	mW	≤ 300mW
Operating Temperature	°C	0 to +70°C
Storage Temperature	°C	-40 to +85°C
Package Dimensions	mm	Ø5.5 x L34mm SS tube(38mm with 900um tube)

Note: All values referenced are without connectors. With connector, IL increase 0.3dB, RL decrease 5dB.

Mechanical Dimensions:



Ordering Information:

S-MWDM	Wavelength	Pigtail Style	Fiber Length	In/Out Connector
	□□□□	□	□	□□
	6370 = 1563 Pass/1570 Reflect 7063 = 1570 Pass/1563 Reflect	1=Bare Fiber 2=900um tube	1=1.0m 2=2.0m	0=None 1=FC/APC 2=FC/PC 3=SC/APC 4=SC/PC 5=ST 6=LC/PC 7=LC/APC

For Example: S-MWDM-6370-1-1-00