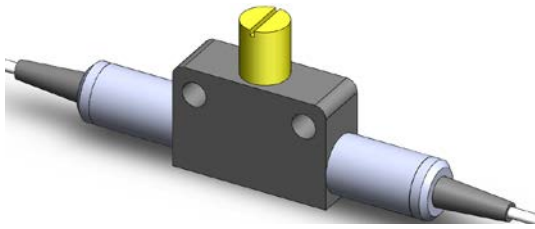


Multi-mode Manually Tuned Variable Optical Attenuator 2 side



Features

- Ultra Small Size
- Wide Wavelength Range
- Singlemode, PM and Multimode Fiber Versions
- High Attenuation Range
- High Resolution
- Designed to meet Telcordia Standard
- Low Cost

Applications

- Power Equalization and Control In Multi-Channel Optical Amplified networks
- Channel ON/OFF Switch
- CATV
- LAN
- Receiver Protection
- Optical Sensors

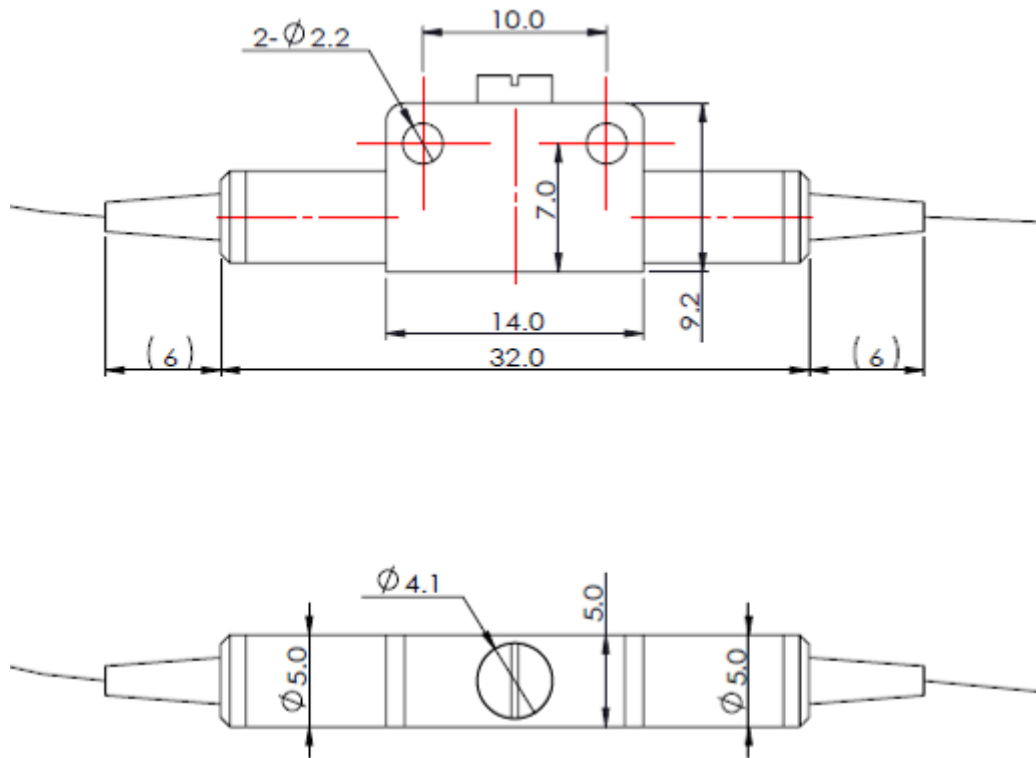
Performance Specifications:

Parameter	Unit	Spec
Operating Wavelength	nm	850
Insertion Loss	dB	≤ 1.0
PDL	dB	≤ 0.1
Directivity	dB	≥ 30
Attenuation Range	dB	≤ 10
Attenuation Resolution (Typ.)		0.1
Operating temperature	°C	-20 ~ +70
Storage temperature	°C	-40 ~ +85
Fiber type	/	62.5/125 with 900um loose tube
Optical Power	W	1 ~ 2

Note: All values referenced are without connectors.

With connector, IL will be 0.3dB higher, RL 5dB lower.

Package Dimensions:



Ordering Information:

S-MVOA	Option	Wavelength	Range	Pigtail Style	Fiber Length	In/Out Connector	-2S
	□□□□	□□	□□	□	□	□□	
	M6= 62.5/125 Multimode	85= 850nm	10= 10dB	1=Bare Fiber 2=900um tube	1=1m 2=2m	0=None 1=FC/APC 2=FC/PC 3=SC/APC 4=SC/PC 5=ST 6=LC/PC 7=LC/APC	

For Example: S-MVOA-M6-85-10-2-1-66-2S